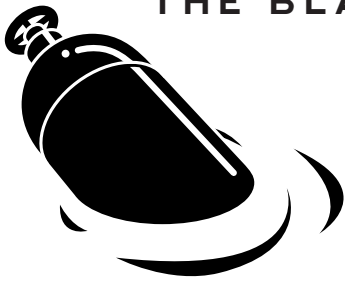


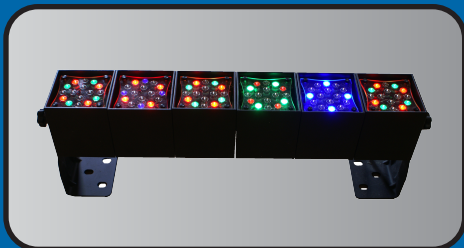
THE BLACK TANK



THE BLACK TANK Product Family Guide

Complete LED Fixtures

Reconfigurable



Ultra - Portable



Yoke or Track Mounted



978.792.5132

info@theblacktank.com

WWW.THEBLACKTANK.COM

THE BLACK TANK

PRODUCT FAMILY



BRICKBLASTER PRO

At 4" Cubed and 50W, The BRICKBLASTER PRO is the Most Versatile Professional Grade LED Fixture Product Line on the Planet.

Available LED Color Combos



WNC

Warm/Neutral/Cool White
Variable Color Temperature
White Light (2800k to 6500k)
12 x 4W CREE XM-L LEDs
3110 Lumen Output



UV Blacklight

Variable Beam Angle,
Custom Dichroic Glass,
Near Invisible Output, Rivals
Large, Power Hungry
Gas Discharge Lamps



RGBW

Red, Green, Blue and White
Color Mixing Fixture
1200 Lumen Output
16 x 3W Luxeon Rebel LEDs

CUSTOM Bricks Available as per Your Specification. Contact US for More Info.

LUMEN MONSTER

At 5" Cubed and 100W, the LUMEN MONSTER Family is Ideal for Creating High Impact Lighting. The Fixtures Possess Massive Lumen Output, Small Form Factor, Color Mixing LEDs (No Color Shadows) and a Host of Pro Features.

Available LED Color Combos



RGBW

Red, Green, Blue and White
10 x CREE MC-E 4 Chip LEDs
2750 Lumens (Estimated)



WWCW

Warm/Cool White
Variable Color Temperature
2800k - 6500k
10 x CREE MC-E 4 Chip LEDs
4750 Lumens (Estimated)

THE BLACK TANK

PRODUCT FAMILY



Features *

- Low Power Consumption (Up to 48 Fixtures on a Single 20 Amp Circuit)
- Variable Beam Angles
- Flicker Free Operation for TV and Film Applications
- US and International Patent Pending Heat Sink Technology
- Connectorized and Serviceable Internal Components
- Tightly Spec'd Center Binned LEDs
- Ultra-Compact Form Factor (4"x4"x4")
- Powder Coated, Anodized or Custom Painted Enclosures
- Auto Temperature Sensing and Thermal Protection

Control *

- DMX Modes: 8 or 16 bit Flicker Free Full Speed DMX512
- 2 Universes of DMX
- "Tungsten Fade" Mode Mimics Incandescent Lights During Dimming and Blackouts



Rear View
BRICKBLASTER Pro

- Intuitive Full Text LCD and UI
- Replaceable LED Boards To Keep Current With Changing Technology
- Theatrical Grade Dimming
- Plugs Right In The Wall Via Locking, Auto-Sensing AC Input (No Power Supplies or Custom Cables Needed)
- 5 Pin DMX In/Out Connectors
- Rugged 1/8" Thick Aluminum Enclosure
- Stand Alone Modes: Manual Mode - Set LED Intensity and Color (All Fixtures)
- Color Wash w/Adjustable Delay (Color Fixtures Only)
- Chasing Rainbow w/Delay and Spacing Control (Color Fixtures Only)
- Fixtures Output Real DMX to Control and Synchronize Other DMX Fixtures

***Features Present on All BRICKBLASTER Pro and LUMEN MONSTER Products**

THE BLACK TANK

PRODUCT FAMILY



Rigging*



SINGLE YOKE
Standard Yoke Works
in Any Application



TRACK MOUNTED
Any Brick can be Mounted to a
Two Circuit surface track with
DMX data or Standard 120 VAC
Track using a Track Adaptor



LINEAR ARRAY
Multiple Bricks Can Be
"Ganged" Together in
Linear or Stacked Arrays

Accessories*



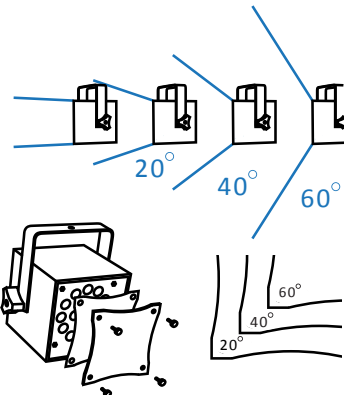
Barn Doors



Track Adaptors



Power Cable
110VAC Cable with
Neutrik Powercon
Connector



Diffuser Pack
Includes One
20°, 40°, 60°
Holographic
Diffuser*



*60 x 1 Diffuser Also Available For Wall Grazing



Ganging Brackets
Single, Double, or Triple
Brackets Allow Users To
Gang Bricks In Linear or
Stacked Arrays.

Bundles*



The Brickblaster Pro is available individually or in bundles of 2, 4 or 8 fixtures. Protect your investment and make storage and transport simpler with our ultra portable bundles. These kits include water tight, rugged cases with laser cut foam interiors and include all of the accessories for your next gig.

Please contact The Black Tank for any other information or questions you may have.

Tel 978.792.5132

www.theblacktank.com

info@theblacktank.com