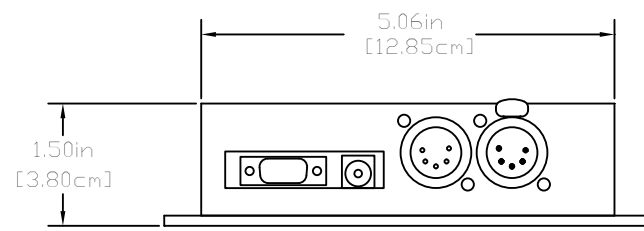
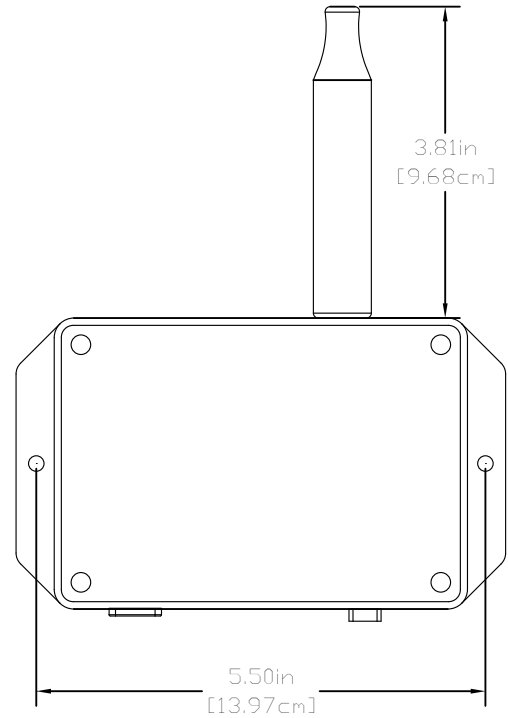
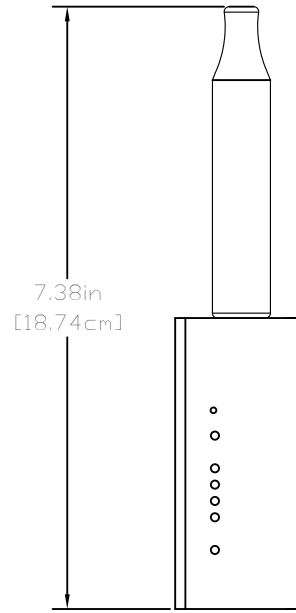



REVISIONS			
REV	DESCRIPTION	DATE	APPROVED



DRAWN BY MB	DATE DRAWN	 DESIGNED BY THE BLACK TANK		
MATERIAL NA				CUBE CONNECT PROFILE
FINISH NA		SIZE A	DWG NO.	
GENERAL TOLERANCES UNLESS OTHERWISE SPECIFIED	.XX .XXX ANG	SCALE NA	SHEET 1 OF 1	